

CABLE LAID WIRE ROPES

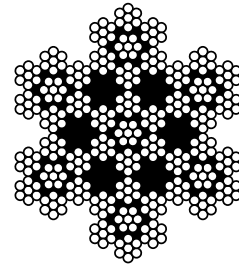




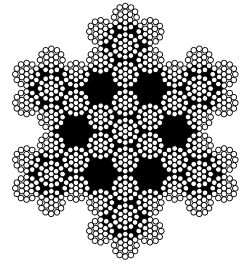
CABLE-LAID

SIZE ROPE DIAMETER	CABLE-LAID WIRE ROPE		
	Construction	Approx. Weight per Foot in Pounds	Min. Breaking Strength in Tons
3/8"	7x7x7	0.21	5.7
1/2"	7x7x7	0.37	9.75
5/8"	7x7x7	0.58	14.6
3/4"	7x7x19	0.88	21.4
7/8"	7x7x19	1.19	28.4
1"	7x7x19	1.56	36.2
1-1/8"	7x7x19	1.94	44.7
1-1/4"	7x7x19	2.39	53.7

CABLE-LAID WIRE ROPE



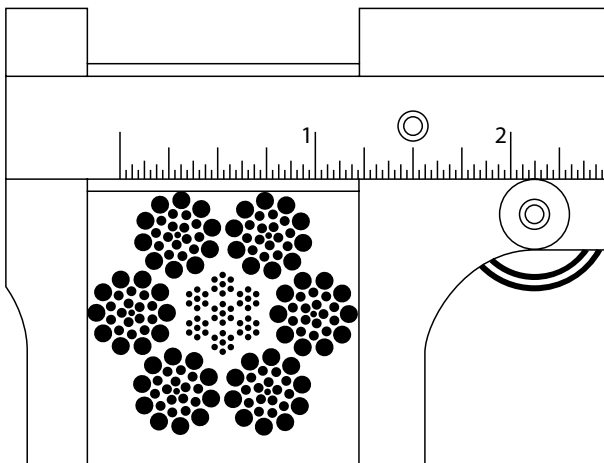
7x7x7



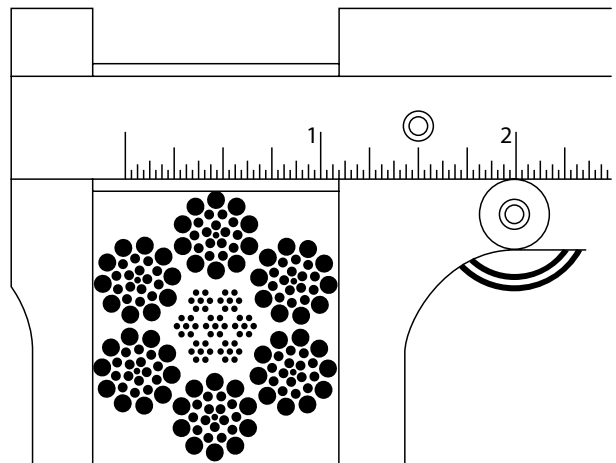
7x7x19

To be used for mechanical swaged slings only.

Correct



Incorrect



DIAMETER OF WIRE ROPE

The diameter of wire rope is the diameter of the circle which encloses all the wires. When measuring wire rope it is important to take the greatest distance of the outer limits of the "crown" of two opposite strands. A measurement across the valleys will result in incorrect lower readings.