

# BLOCKS

---



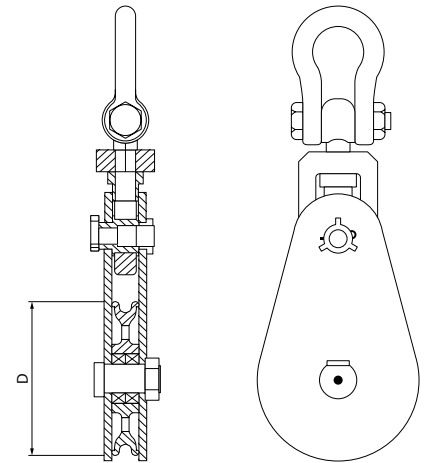


# BLOCKS



SIZE (INCH)	S.W.L (TON)	DIAMETER	N.W. (KGS)
3	1.5	4-6 MM	1.50
4	3.0	6-9 MM	2.30
5	4.5	8-12 MM	4.14
6	6.0	10-14 MM	6.60
8	8.0	14-18 MM	13.50

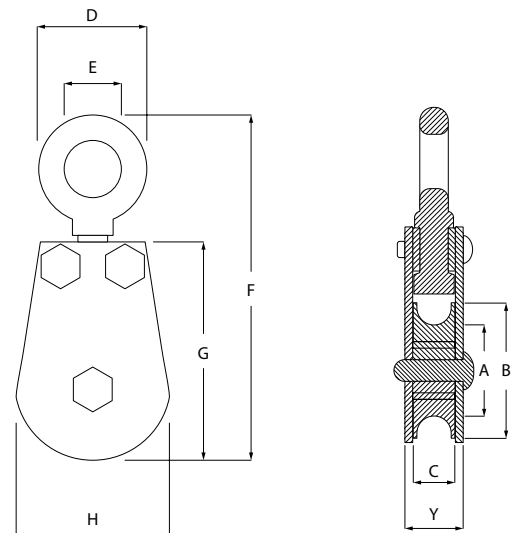
## SNATCH BLOCK WITH SHACKLE



SIZE (INCH)	S.W.L (TON)	DIAMETER	N.W. (KGS)
3	1.5	4-6 MM	1.65
4	3.0	6-9 MM	2.90
5	4.5	8-12 MM	5.40
6	6.0	10-14 MM	7.95
8	8.0	14-18 MM	18.05

## SNATCH BLOCK WITH EYE

Single



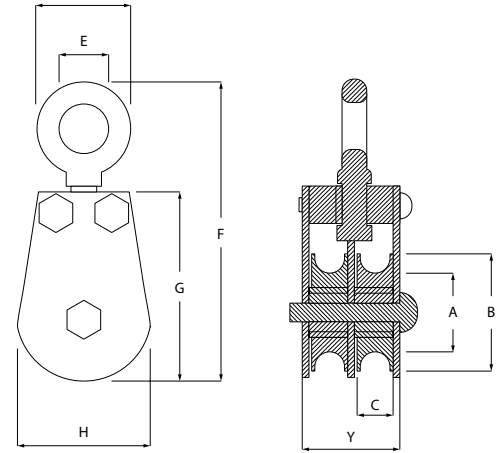


# BLOCKS

SIZE (INCH)	S.W.L (TON)	DIAMETER	N.W. (KGS)
3	1.5	4-6 MM	1.65
4	3.0	6-9 MM	2.90
5	4.5	8-12 MM	5.40
6	6.0	10-14 MM	7.95
8	8.0	14-18 MM	18.05

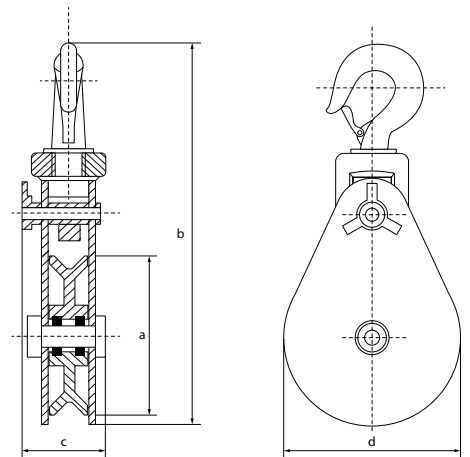
## SNATCH BLOCK WITH EYE

Double



SIZE (INCH)	S.W.L (TON)	DIAMETER	N.W. (KGS)
3	2	3/8	2.30
4-1/2	4	1/2	5.74
6	8	3/4	11.50
8	8	3/4	15.75
10	8	3/4	21.90
12	8	3/4	30.00
14	8	3/4	36.00
16	15	7/8	99.00
18	15	1	112.50

## SNATCH BLOCK WITH HOOK



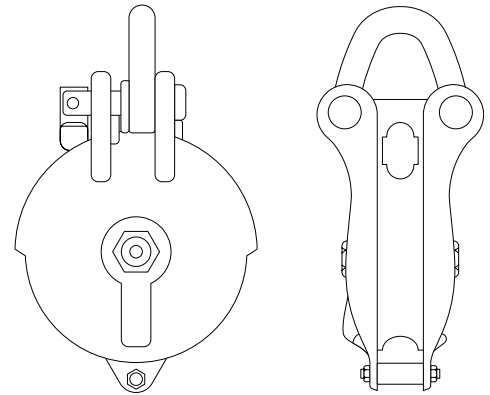


# BLOCKS



SIZE (INCH)	S.W.L (TON)	DIAMETER	N.W. (KGS)
3	2	3/8	2.24
4-1/2	4	1/2	5.74
6	8	3/4	12.50
8	8	3/4	16.50
10	8	3/4	22.00
12	8	3/4	29.50
14	8	3/4	35.60
16	15	7/8	102.00
18	15	1	118.00

## YARDING SNATCH BLOCK WITH BAIL



SIZE (INCH)	S.W.L (TON)	N.W. (POUNDS)
6	5	23

## TRAWL BLOCK

F501 Galvanized

